

DN65 TO DN100  
MAINLINE ONLY

The information on this sheet is Private and Confidential and is the property of Crane Process Flow Technologies Limited and must not be published directly or indirectly in any manner whatsoever without the written permission of the Company and must not be used in any way detrimental to their interests.  
© Crane Process Flow Technologies

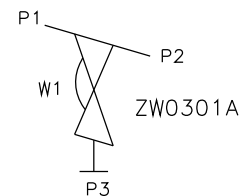
**CRANE** Process Flow Technologies  
A Crane Co. Company

**Saunders**  
The Science Inside

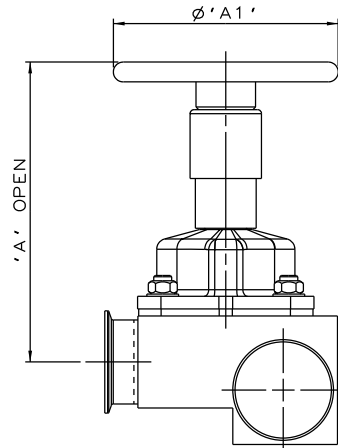
Title  
SCHEDULE OF LEADING DIMENSIONS FOR DN65  
WEIR 'T' BODY COMPLETE WITH :  
MAINLINE : ISO 1127 S1 BUTT WELD ENDS  
BRANCH : DN65 HYGIENIC CLAMP END WITH ISO 1127 S1 BORE

Drawn JRD	Date 14.10.11	UNCONTROLLED IN HARD COPY FORMAT
Checked RND	Date 23.03.12	
First Angle Projection Method E	DO NOT SCALE	Drawing No. WEB-088
		Issue. 2

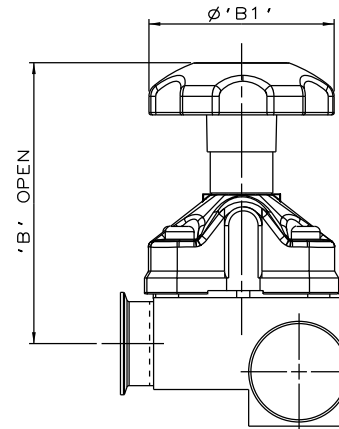
MAINLINE SIZE	A	B	C	D	$\phi E$	$\phi F$	G	BODY WEIGHT
mm	mm	mm	mm	mm	mm	mm	mm	Kgs
DN65	50.8	50.0	42.5	55.0	76.1	70.9	41.1	10.0
DN80	50.8	50.0	48.9	61.0	88.9	83.7	41.1	11.8
DN100	101.6	50.0	61.6	72.0	114.3	109.1	41.1	16.4



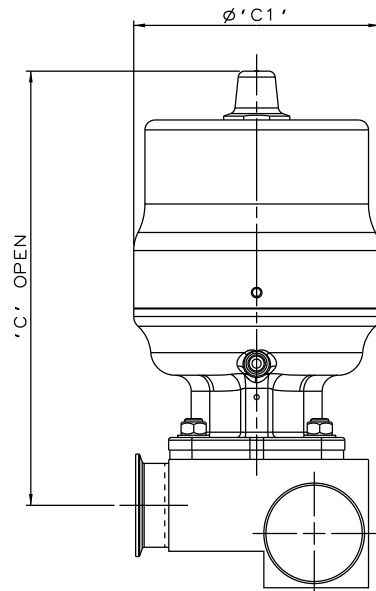
ORIENTATION AS PER  
P&ID DIAGRAM FOR  
OPTIMUM DRAINABILITY.



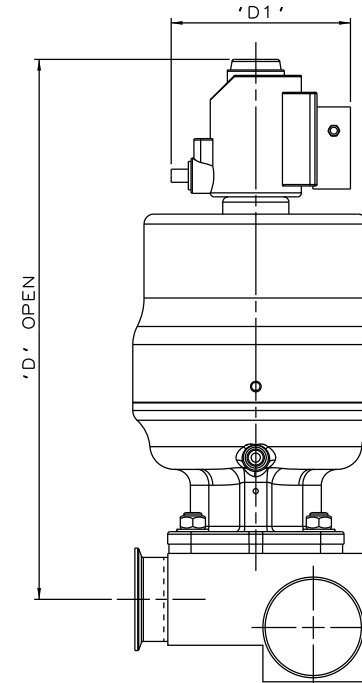
SS NON SEALED  
BONNET ASSEMBLY



PES BONNET ASSEMBLY



\*S360 ACTUATOR



\*S360 ACTUATOR  
WITH I-VUE SENSOR

\*DIMENSIONS SHOW MAXIMUM ENVELOPE FOR ALL MODES

BRANCH SIZE		A		A1		B		B1		C		C1		D		D1	
mm	inch	mm	inch	mm	inch	mm	inch	mm	inch	mm	inch	mm	inch	mm	inch	mm	inch
DN65	2.50	234.1	9.22	170.0	6.69	227.1	8.94	140.0	5.51	335.1	13.19	186.0	7.32	415.1	16.34	136.0	5.33

The information on this sheet is Private and Confidential and is the property of Crane Process Flow Technologies Limited and must not be published directly or indirectly in any manner whatsoever without the written permission of the Company and must not be used in any way detrimental to their interests.  
© Crane Process Flow Technologies

**CRANE** Process Flow Technologies  
A Crane Co. Company

**Saunders**  
The Science Inside

Title  
SCHEDULE OF LEADING DIMENSIONS FOR DN65/2.50  
WEIR 'T' BODY WITH MAINLINE BUTT WELD ISO 1127 S1  
ENDS, BRANCH HYGIENIC CLAMP END WITH ISO 1127 S1 BORE.  
FITTED WITH TOPWORKS OPTIONS

Drawn R1	Date 09.05.17	UNCONTROLLED IN HARD COPY FORMAT	
Checked RND	Date 09.05.17		
First Angle Projection Method E	DO NOT SCALE	Drawing No. WEB-088-ASSY	Issue. 1